

THE PARADISE LIGHT FAMILY



ABOUT ARRANGE STUDIO & THE PARADISE LIGHTS

Arrange Studio is based in South Africa and run by Roxanne Ferreira. An intrinsic love for lighting design and affinity for colour spurred her on to create the studio's first table lamp, called The Paradise Light. These lights take inspiration from the many Birds-of-Paradise and the kaleidoscope of colour found in the natural world.

Two years since the launch of the original Paradise Light, the collection is finally growing & Arrange Studio is happy to announce the introduction of The Paradise Pendants and The Paradise Floor Lamp.

Each light is proudly manufactured in South Africa, with the hope that each one purchased will bring warmth & joy to their new owners for years to come.

Roxanne Ferreira, founder of Arrange Studio



The Paradise Table Light in Sunrise

PARADISE TABLE LIGHT



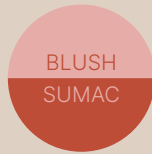
The Paradise Lights from front left to top left: Lagoon, Ocean, Sunset, Sunrise.

COLOURS

SUNRISE



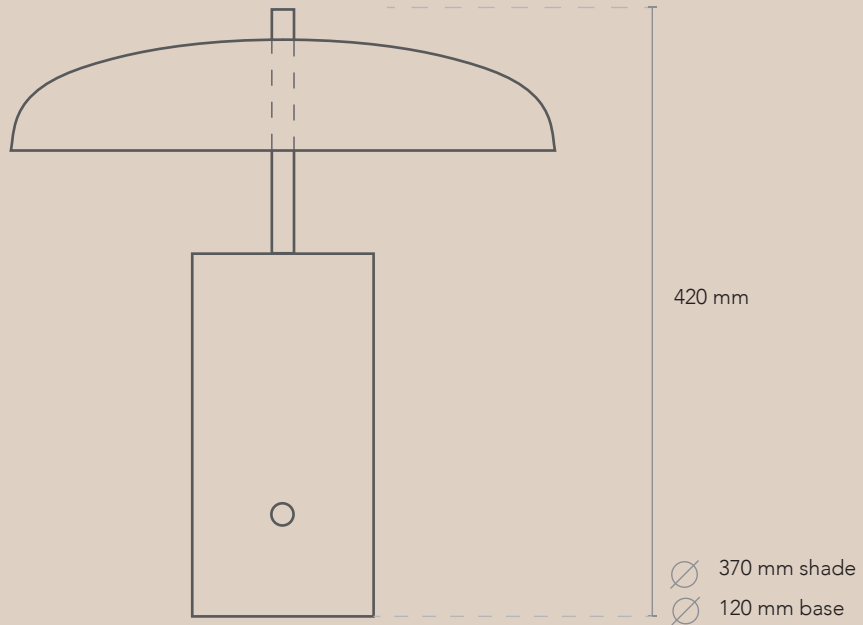
SUNSET



OCEAN
**Discontinued*



LAGOON



MATERIALS

- / Powder-coated spun aluminium shade.
- / Powder-coated steel base.
- / Polished brass central stem and on/off switch.
- / Coloured fabric cable with Legrand Euro 2pin plug.
- / 2 x e14 lamp holders (2x warm white LED globes included with every Paradise Light order!)
- / Designed and Manufactured in South Africa.

COMPONENTS

- / The shade & base are boxed separately and are easy to assemble.
- / Packaging is fully recyclable and plastic free as far as possible.

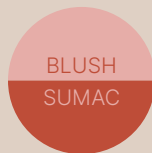
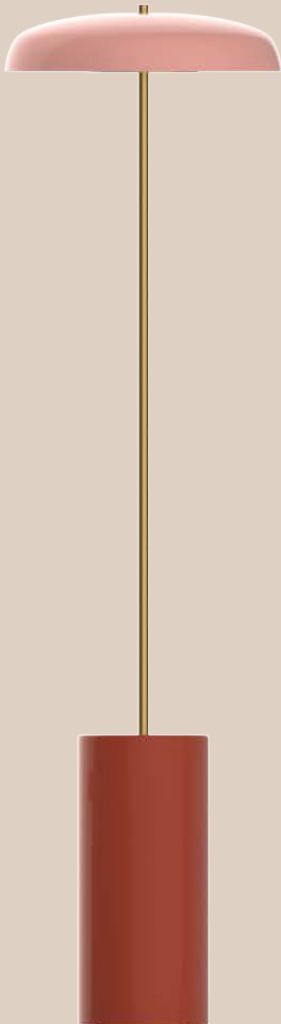
The Paradise Floor Lamp in Sunset. Photographer: Frances Marais, Styling & art direction: Sanri Plenaar.



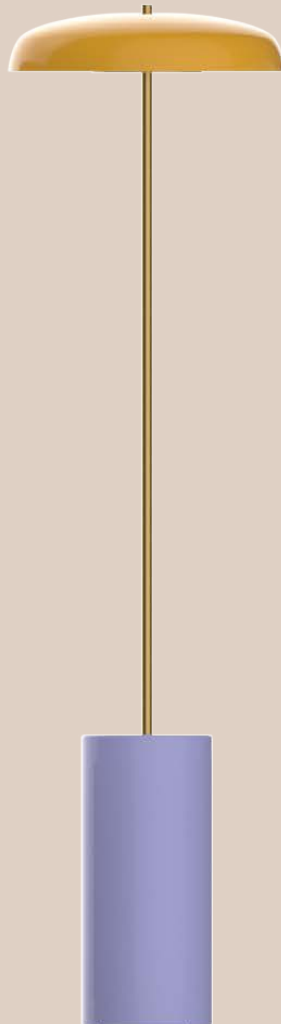
PARADISE FLOOR LAMP

COLOURS

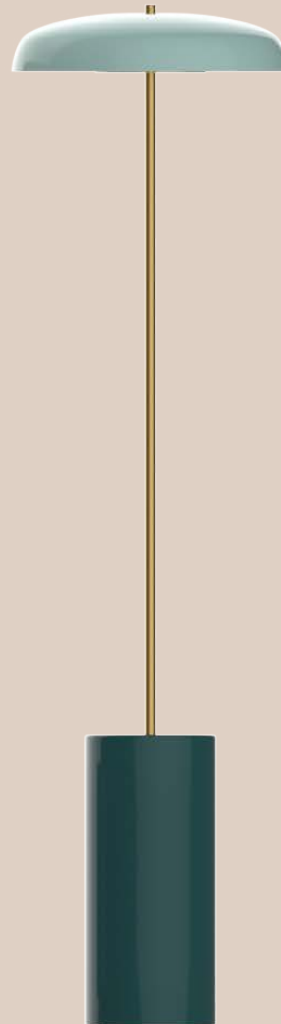
SUNSET



SUNRISE



LAGOON



MATERIALS

- / Powder-coated spun aluminium shade.
- / Powder-coated weighted steel base.
- / Polished brass central stem and top finial.
- / Gold fabric cable with 3pin plug.
- / Designed and manufactured in South Africa

SIZE



COMPONENTS

- / 3 x e14 lamp holders (3x warm white LED globes included with every Paradise Light order!)
 - / A gold fabric cable with on/ off foot switch
 - / 3-pin plug
 - / Opal Plexiglass diffuser to eliminate glare
- Please see render detail on the right.



PARADISE PENDANT

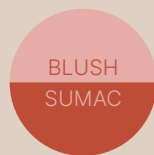
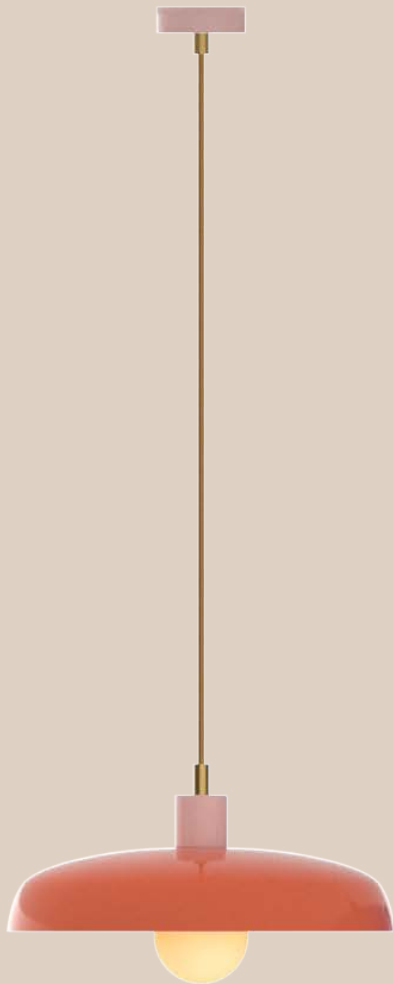
FLOOR LAMP



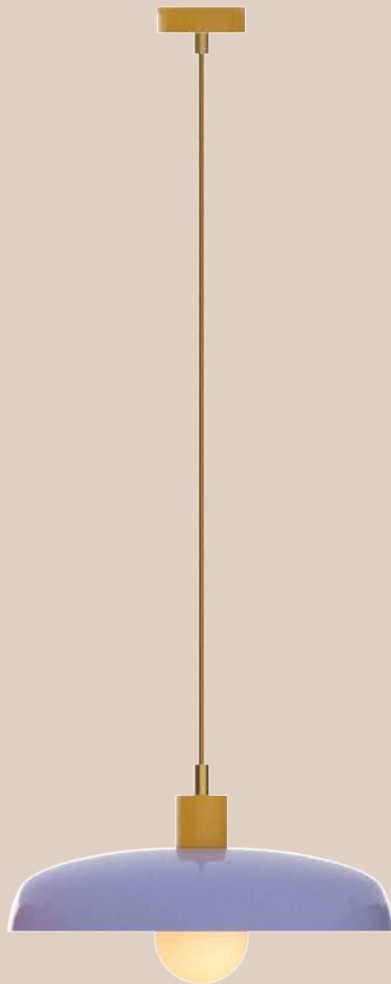
The Paradise Pendant in Sunset. Photographer: Frances Marais. Styling & art direction: Sanri Pienaar.

COLOURS

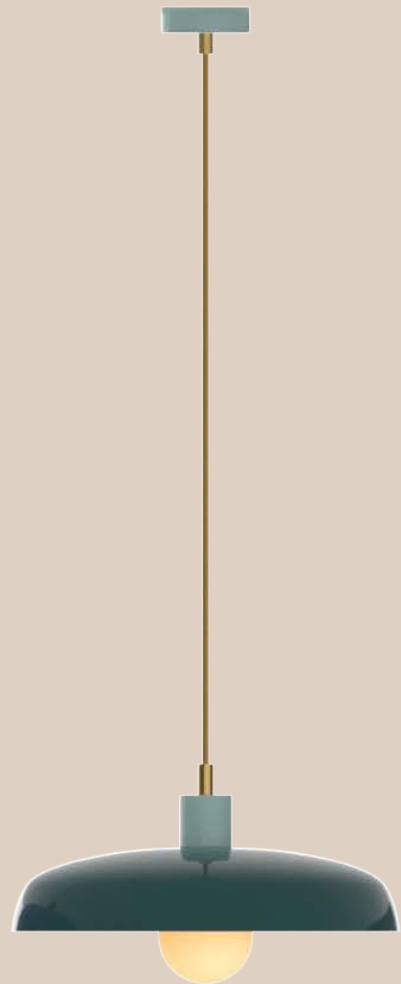
SUNSET



SUNRISE



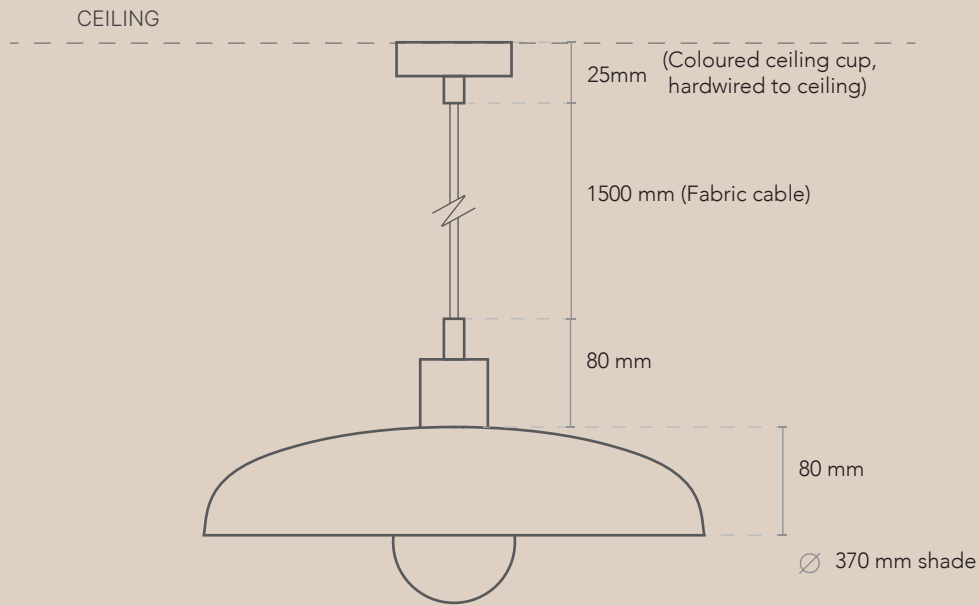
LAGOON



MATERIALS

- / Powder-coated spun aluminium shade
- / Solid brass cord finishers
- / Gold fabric cable
- / 1 x e27 lamp holder
- / Designed and manufactured in South Africa

SIZE



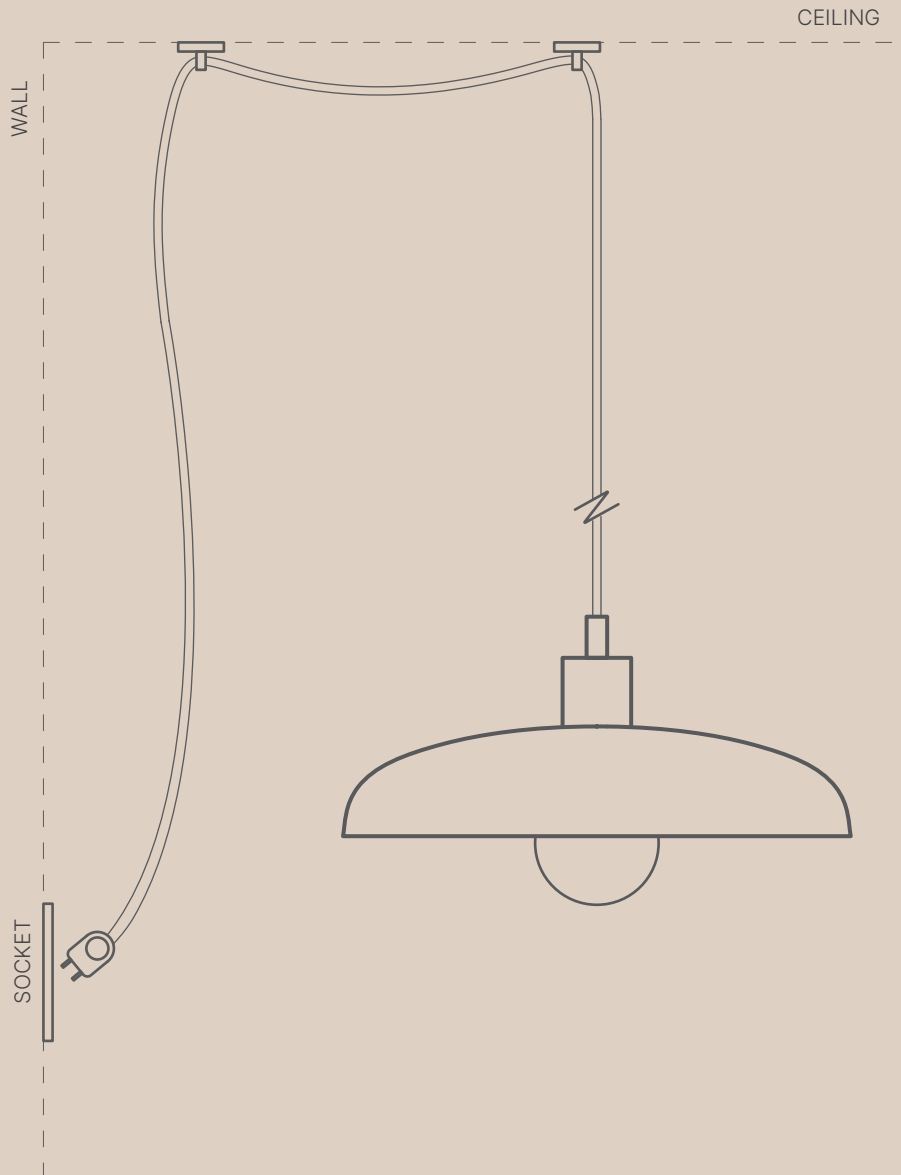
COMPONENTS

- / 1x Coloured spun aluminium shade
- / 1x 1.5m Fabric cable and ceiling cup cord set
- / 1x e27 oversized warm white LED globe included in every order



ALTERNATIVE HOOK & PLUG OPTION

Can be specified upon placing your order for pendant to be supplied with the below set instead of a ceiling cup.
For instances where there is no available ceiling point for hardwire installations.



CABLE LENGTHS

Hardwire (standard order): 1.5m
Hook & plug (special order): 3.5m

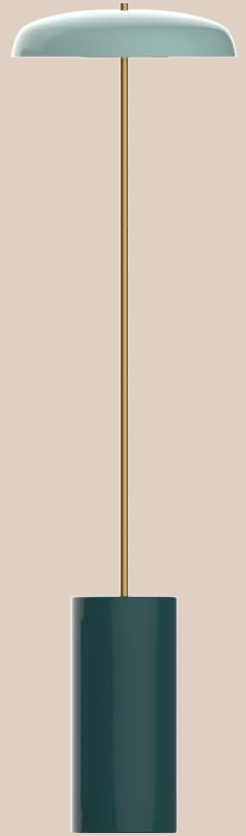
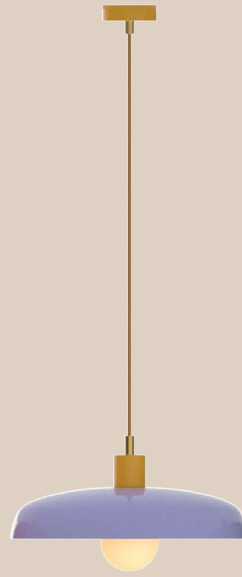
*** Please note that if you select the hook & plug set with a longer cable length, a small additional cost will be added to your order.*

PRICE

PARADISE TABLE LIGHT
R6 800

PARADISE PENDANT
R4 500

PARADISE FLOOR LAMP
R9 800



The Paradise Table Light in Lagoon




The Paradise Pendant in Sunrise.

LEAD TIME & HOW TO ORDER

The lights are all made in South Africa, with a lead-time of approximately **6-8 weeks**. Each one is carefully made by hand, in combination with some tooling & machinery. Orders can be placed by emailing orders@arrangestudio.co.za - We'll confirm your details, send you an invoice & put your order into production! We can deliver right to your door, anywhere in the country for a small courier fee.



The Paradise Pendant in Lagoon & the Paradise Floor Lamp in Sunset alongside the medium Curvy rug in Brick.

 Follow @arrange_studio on Instagram for more.

www.arrangestudio.co.za

SHOOT CREDITS: Photographer: Frances Marais | Stylist & Art Director: Sanri Pienaar

ARRANGE
STUDIO