

THE PARADISE LIGHT



Designed by Roxanne Ferreira of Arrange Studio, the Paradise Lights take inspiration from the many Birds-of-Paradise and the kaleidoscope of colour found in the natural world. Each light is made with a golden coating on the inside of the shade to emit a warm, golden glow when turned on.



COLOURS



SUNRISE



SUNSET



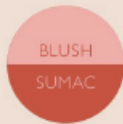
OCEAN



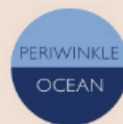
LAGOON



SUNRISE



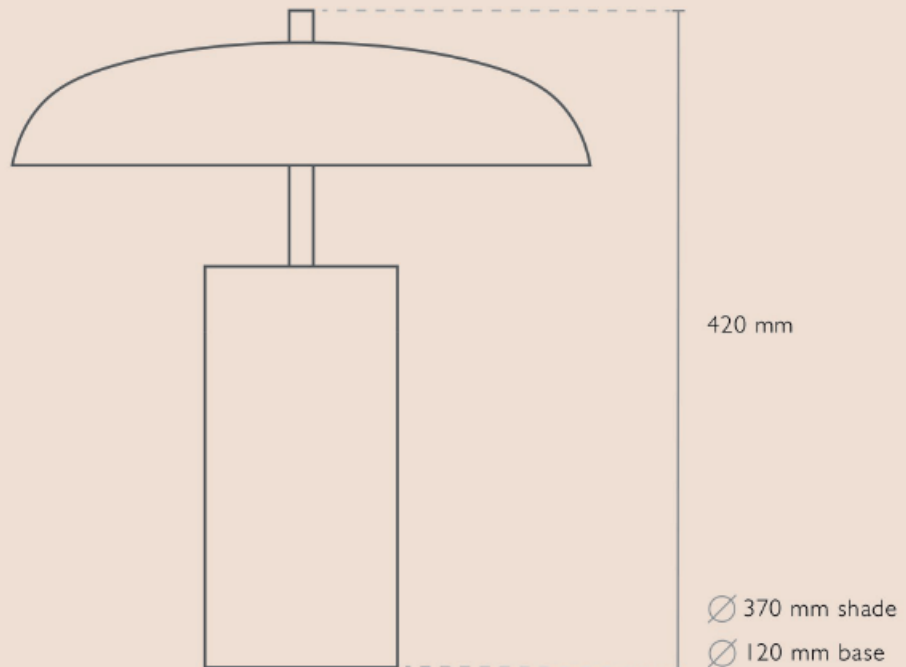
SUNSET



OCEAN



LAGOON



MATERIALS

- / Powder coated spun aluminium shade
- / Powder coated steel base
- / Polished brass central stem and on/off switch
- / Coloured fabric cable with Legrand Euro 2pin plug
- / 2 x e14 lampholders (2x warm white LED globes included with every Paradise Light)
- / Designed and Manufactured in South Africa

COMPONENTS

- / The shade & base are boxed separately and are easy to assemble.
- / Packaging is fully recyclable and plastic free as far as possible.



TO ORDER

Each light is made to order with a lead time of 4 - 6 weeks. Available directly from Arrange Studio. Email roxanne@arrangestudio.co.za for enquiries.



ABOUT

Arrange Studio is based in South Africa and run by Roxanne Ferreira. An intrinsic love for lighting design and affinity for colour spurred her on to create Arrange Studio's first table lamp.

Follow [@arrange_studio](https://www.instagram.com/arrange_studio) on Instagram for more.



SHOOT CREDITS: Paradise Table Lamps designed by Roxanne Ferreira, Arrange Studio | Stylist & Art Director: Sanri Pienaar | Photographer: Frances Marais

ARRANGE
STUDIO